

LSH (E2000) adapters

Description:

The LSH adapters are designed for connectors with PC and APC polishing method. LSH integrated protective cap protects ferrule from dust and rules out any laser light emissions, the single type is equipped with metal internal shutter. The LSH adapter is compatible with E2000™ connectors.



The LSH adapters are available with or without flange. The dimensions of single adapter is the same as SC type, the same standardized cut-outs will then be used for all adapters which are compatible with SC standard.

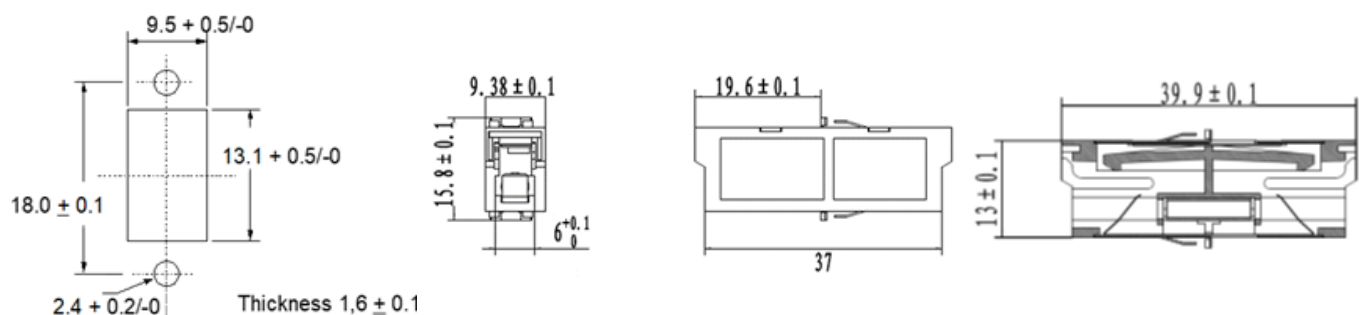
Features:

- Material PBT
- Integral self-closing metal laser protection flaps
- Zirconia (ceramic) alignment sleeve
- Semi-transparent plastic dust cover
- In acc. with IEC 61754-15, EN 186270 and EN 50377-8
- Compatible with E2000 standard

Specifications:

Delta insertion loss: ≤ 0.1 dB (testing method acc. to IEC 61300-3-42)
 Mating cycles: min. 500
 Sleeve pull force: 2 - 6 N
 Operating temperature: -40 to +85 °

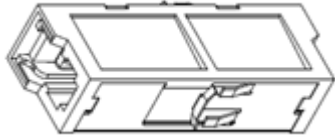
Dimensions:



recommended panel cut-out

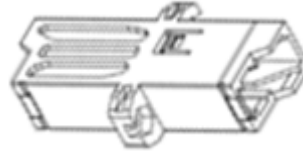
Samples of LSH Adapters:

Simplex flange-less



A-LSH/APC-01-GR-S12

Simplex with flange

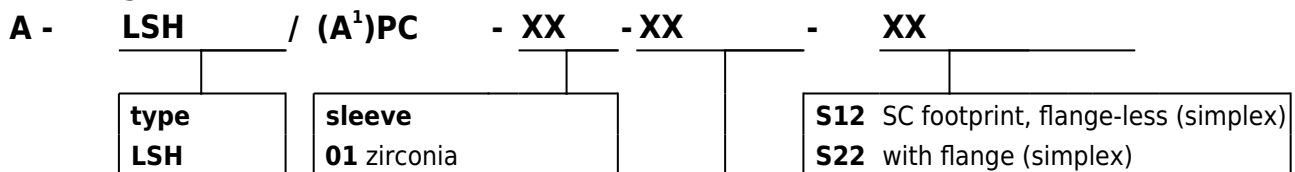


A-LSH/APC-01-GR-S22

Application:

- Telecom
- LAN, WAN
- CATV
- Railways

Ordering code:



Note:

1) A - for APC connectors (green color)